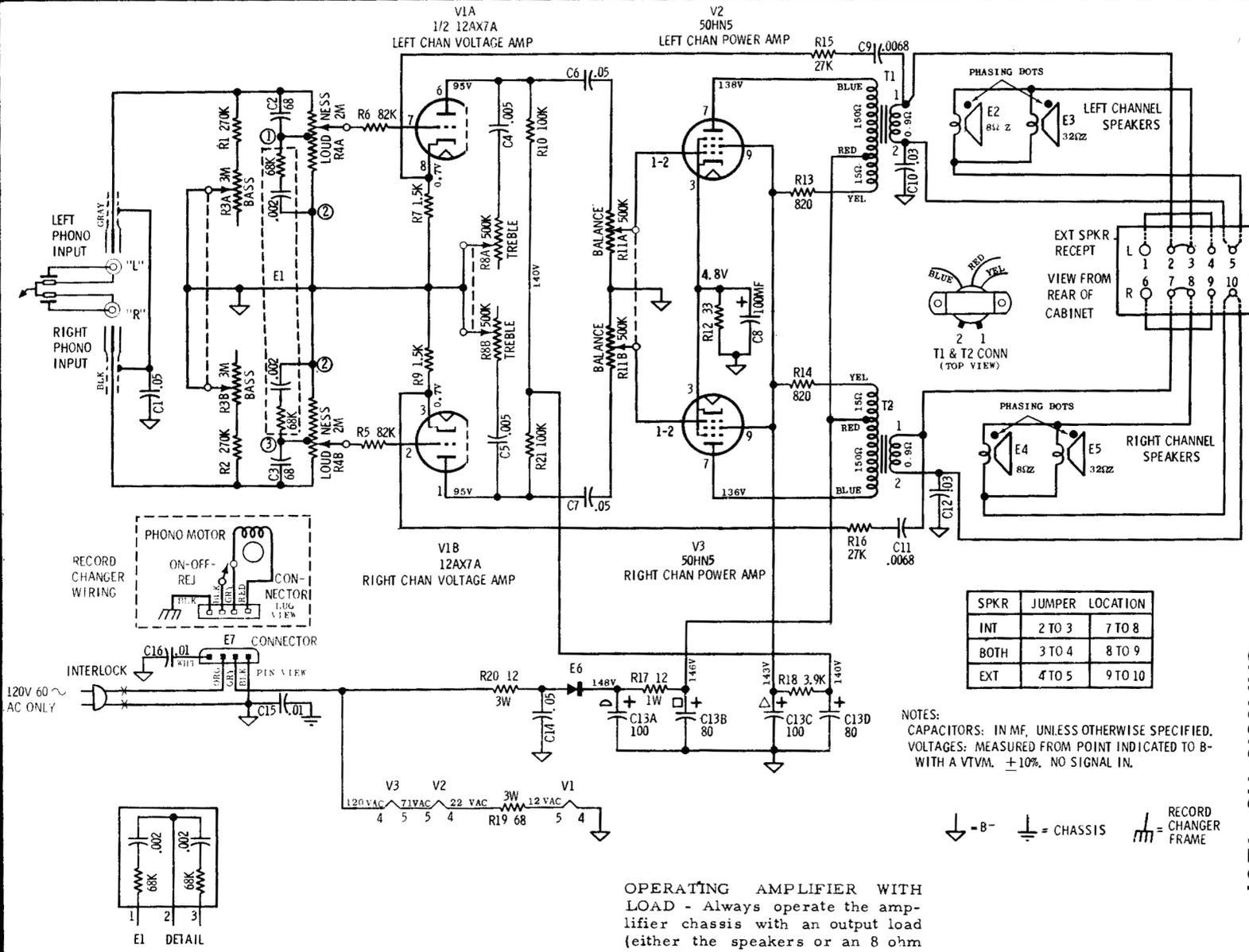


MOTOROLA

MODELS PK175A, 176A, 177A, 178A CHASSIS HS-1261



SPKR	JUMPER	LOCATION
INT	2 TO 3	7 TO 8
BOTH	3 TO 4	8 TO 9
EXT	4 TO 5	9 TO 10

NOTES:
CAPACITORS: IN MF, UNLESS OTHERWISE SPECIFIED.
VOLTAGES: MEASURED FROM POINT INDICATED TO B- WITH A VTVM. ±10%. NO SIGNAL IN.

↓ - B- ⊥ = CHASSIS = RECORD CHANGER FRAME

OPERATING AMPLIFIER WITH LOAD - Always operate the amplifier chassis with an output load (either the speakers or an 8 ohm 10 watt resistive load) across each channel.

